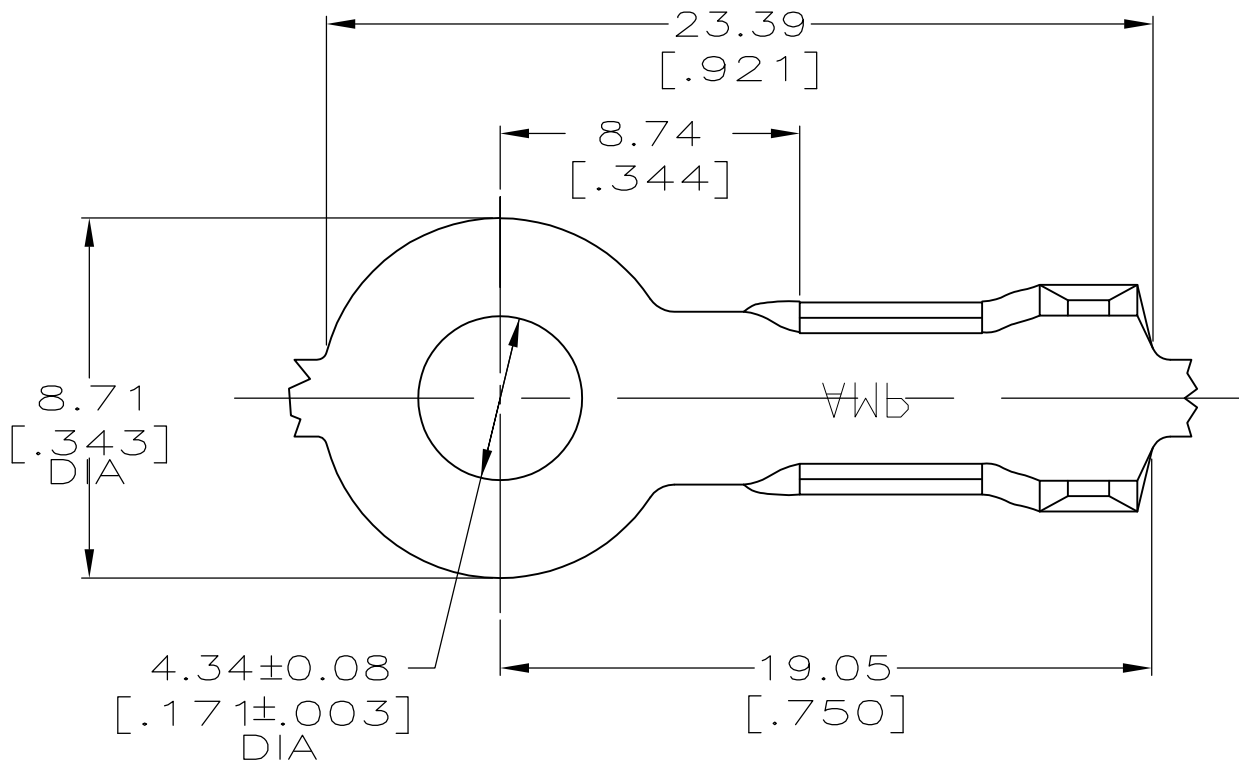
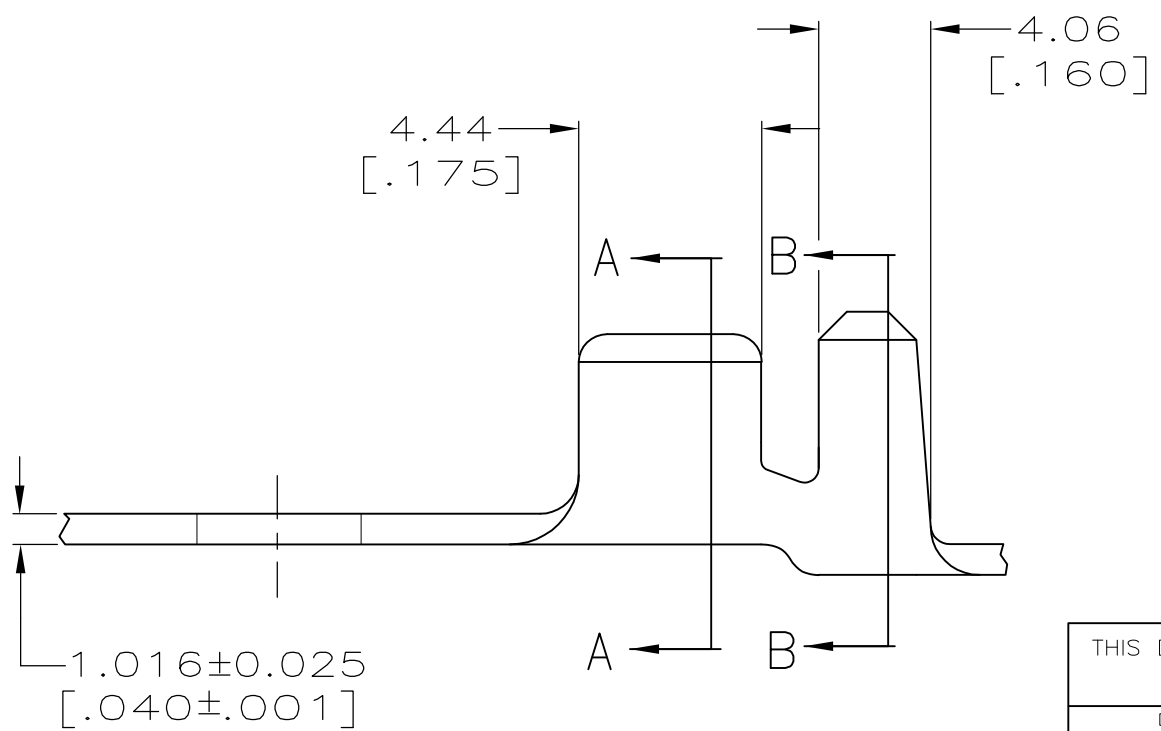
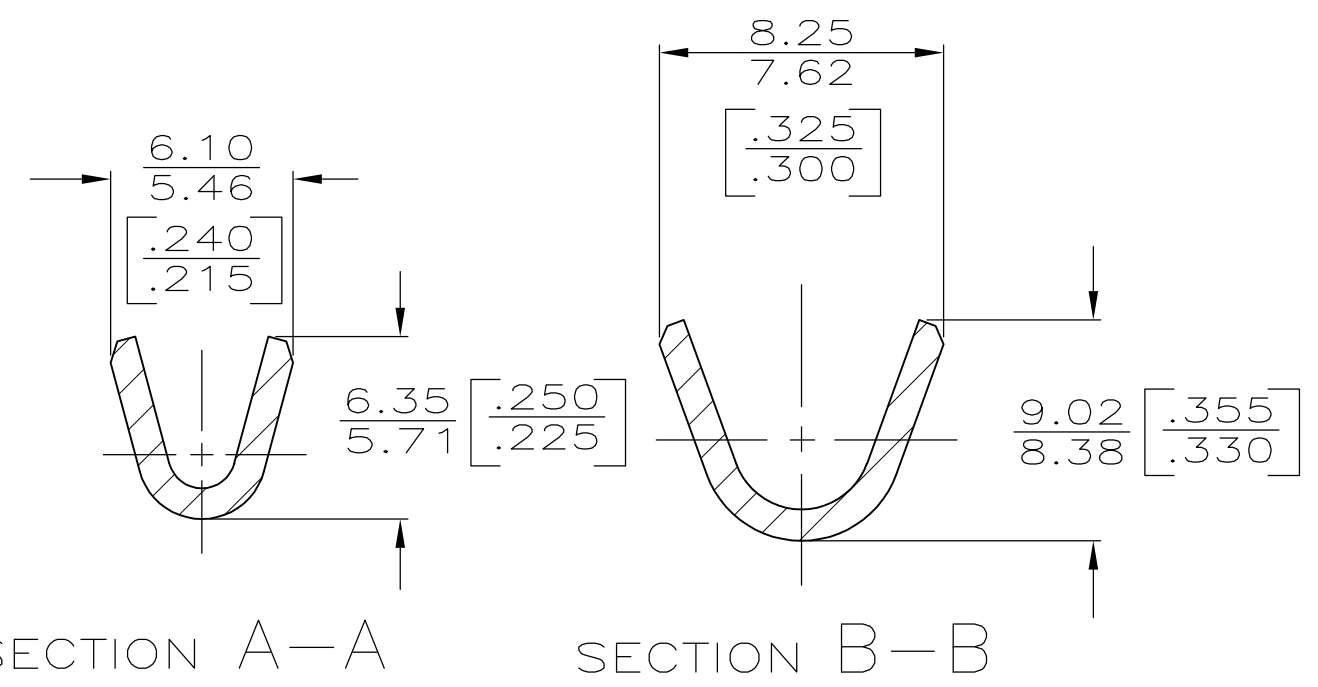


THIS DRAWING IS UNPUBLISHED. RELEASED FOR PUBLICATION
 © COPYRIGHT BY TYCO ELECTRONICS CORPORATION. ALL INTERNATIONAL RIGHTS RESERVED.

| LOC | DIST | REVISIONS | | | |
|-----|------|-------------|---------------------------|---------|--------|
| P | LTR | DESCRIPTION | DATE | DWN | APVD |
| AF | 50 | J | REVISED PER ECR-10-006099 | 07JUL10 | HMR PD |



1 CONTINUOUS STRIP ON REEL.



| | | |
|------------------------------|-------------|---------|
| 4.32-5.33 DIA [.170-.210] | [12-10] AWG | 42863-2 |
| INSULATION RANGE | WIRE RANGE | PART NO |

| | | | | |
|--|--|------------------------------------|---|--|
| THIS DRAWING IS A CONTROLLED DOCUMENT. | | DWN 27/JUN/95 PHILLIP M FORTNEY | Tyco Electronics Corporation Harrisburg, PA 17105-3608 | |
| DIMENSIONS: mm [INCHES] | | CHK 27/JUN/95 JEFF R RUTH | Tyco Electronics | |
| TOLERANCES UNLESS OTHERWISE SPECIFIED: | | APVD 27/JUN/95 GARY YETTER | RING | |
| 0 PLC ± - | | PRODUCT SPEC | NAME | |
| 1 PLC ± - | | APPLICATION SPEC | SIZE CAGE CODE DRAWING NO RESTRICTED TO | |
| 2 PLC ± 0.38 [.015] | | WEIGHT - | A3 00779 C-42863 | |
| 3 PLC ± - | | CUSTOMER DRAWING | | |
| 4 PLC ± - | | SCALE 5:1 SHEET 1 OF 1 REV J | | |
| ANGLES ± - | | | | |
| FINISH | | | | |
| MATERIAL 082 BRASS | | FINISH TIN | | |